



TS BASE

Cm 38x38



OPERATOR'S MANUAL





Important Safety Instructions

Important Safety Instructions

WHEN USING YOUR APPLIANCE, BASIC PRE-CAUTIONS SHOULD ALWAYS BE FOLLOWED, INCLUDING THE FOLLOWING:

- Read instructions carefully
- Use appliance only for its intended use
- To reduce the risk of electric shock, do not immerse the appliance in water or other liquids
- Never pull cord to disconnect from outlet, instead grasp plug and pull to disconnect
- Do not allow cord to touch hot surfaces, let appliance cool completely before putting away
- Do not operate appliance with a damaged cord, or if the appliance has been dropped or damaged. To reduce the risk of electric shock, do not disassemble or attempt to repair the appliance, take it to a qualified service person for examination and repair. Incorrect reassembly or repair could cause a risk of fire, electric shock, or injury to persons when the appliance is used
- Close supervision is necessary for any appliance being used by or near children.
- Do not leave appliance unattended while connected.
- Burns could occur from touching hot metal parts.
- To reduce the likelihood of circuit overload, do not operate another high voltage appliance on the same circuit.
- If an extension cord is absolutely necessary, a 20 ampere rated cord should be used. Cords rated for less amperage may overheat, care should be taken to arrange the cord so that the cord cannot be pulled or tripped over.

PLEASE SAVE THESE INSTRUCTIONS





Table

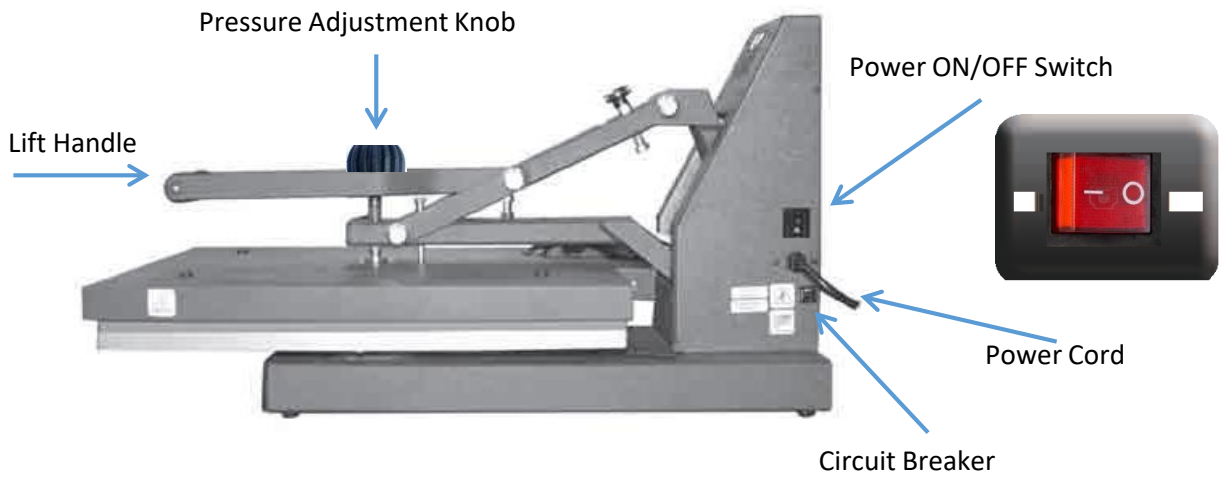
Digital Part Location Guide	3
TS Base Control Panel	4
Operating Instructions	5-10
Electrical Schematic	11
Terms of Guarantee	12
CE-Certification	13



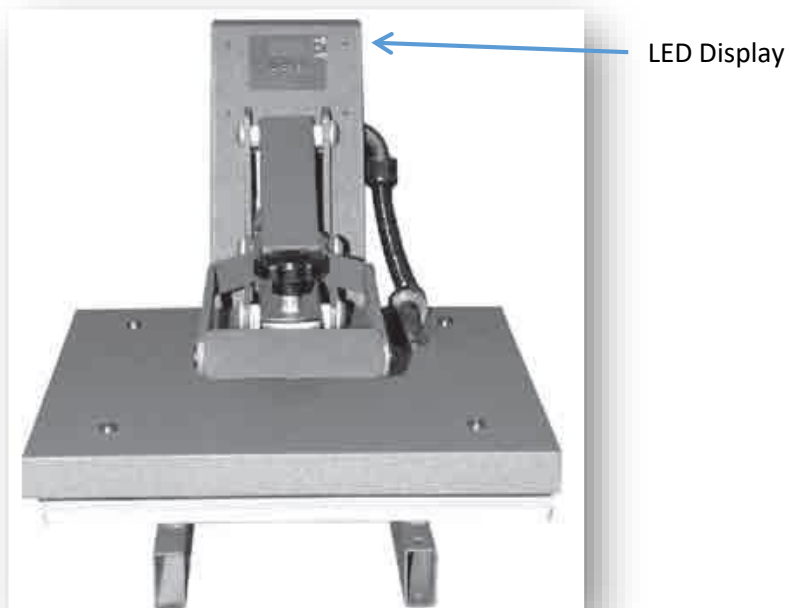


Parts Location Guide

SIDE VIEW

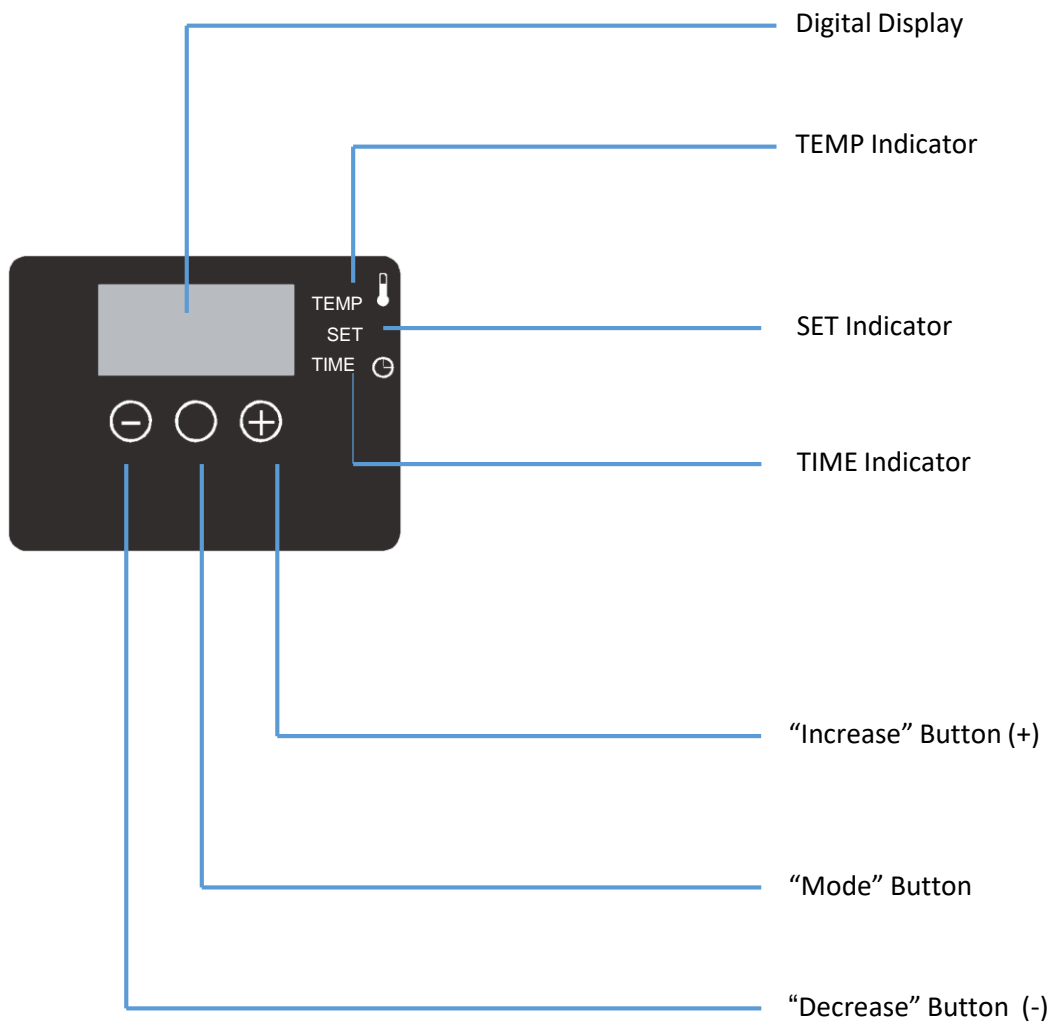


FRONT VIEW



Controllo Panel

CONTROL PANEL





Operating instructions

- The TS Base Operating Instructions are designed with you in mind. Carefully read and follow the step-by-step instructions for best results.
- If you experience any difficulty, carefully re-read the instructions and try again.
- Pay particular attention to the risk of burns which can be sustained by touching the heated platen during use.
- Keep hands clear from the platens of the press during platen lock down as the pressure can cause injury.
- Press should be placed on a sturdy suitable stand at least 24" x 36".
- Work area must be kept clean, tidy and free of obstructions to the movements of the heat press.
- Power supply cord must be disconnected before cleaning or servicing press.



1. CONNECT THE POWER CORD

Connect the power cord into a properly grounded electrical outlet with a sufficient amperage rating. Your TS Base requires a full 7,5 amp grounded circuit for 240 volt operation. Extension Cords, if used, should be as short as possible and not less than 12 gauge. Heavy duty cords are recommended. Circuits that have under 15 amps or other high demand equipment or appliances (especially more than one heat seal machine) should not be used.

NOTE:

If the supply cord is damaged, it must be replaced by the manufacturer or its service agent or a similarly qualified person in order to avoid hazard. Use HSJ type, rated 250V-10 AMP for replacement.

CAUTION!!

FAILURE TO FOLLOW THESE INSTRUCTIONS WILL CAUSE:

1. Erratic controller functions.
2. Inaccurate displays and slow heat-up
3. The circuit breaker to disengage.

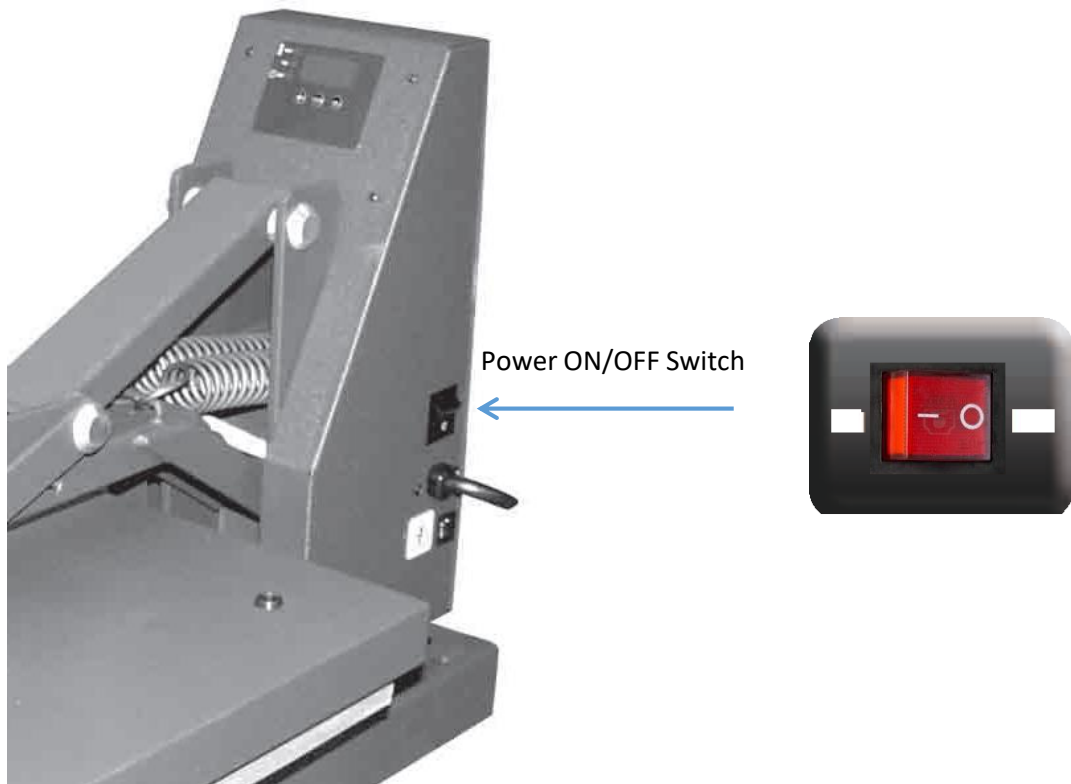




Operating instructions

2. SWITCH THE SYSTEM ON

- Locate the lift handle and position the heat platen in the up (load) position.
- Locate the Power ON/OFF Switch on the press.
- Turn the Power Switch on.



TEMPERATURE

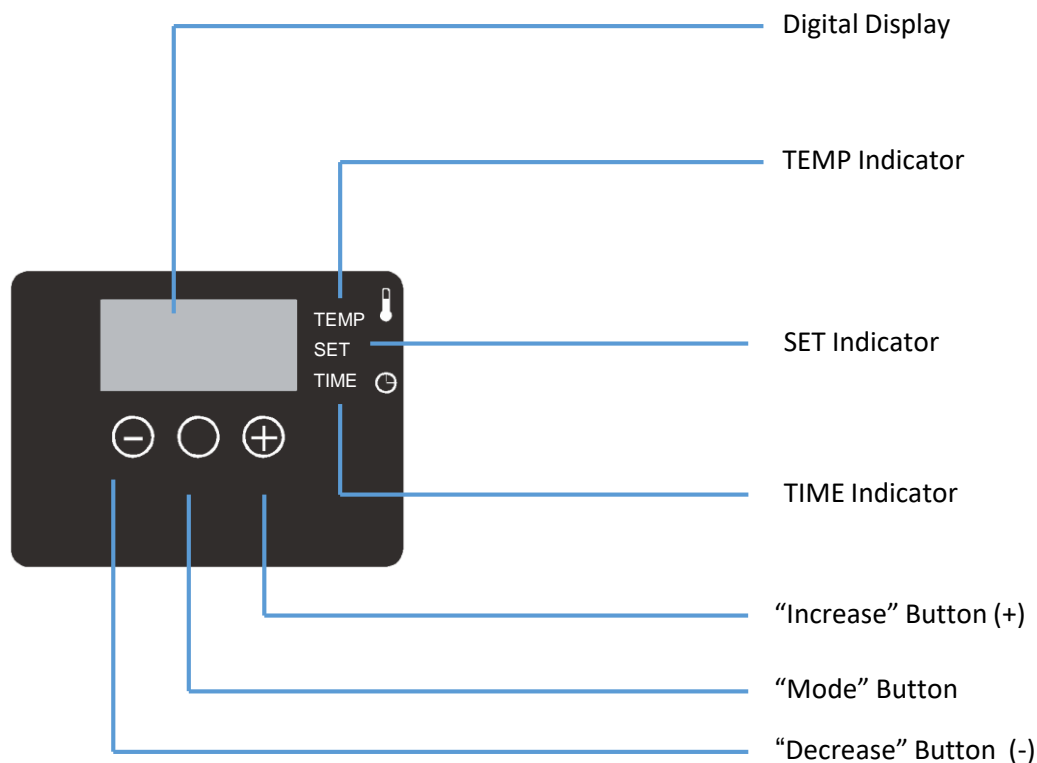
3. ADJUST THE TEMPERATURE

Press the Mode Select Button located in the center of the Control Panel. The (SET) and (TEMP) lights located next to the display will illuminate indicating you are in the Adjust Temperature Mode.

Next, press the (-) Button located to the left of the Mode Select Button to lower the temperature setting, or press the (+) Button located to the right of the Mode Select Button to raise the temperature setting. The temperature can be set from 96° C to 221 °C. The LED will display your changes as you make them.

NOTE:

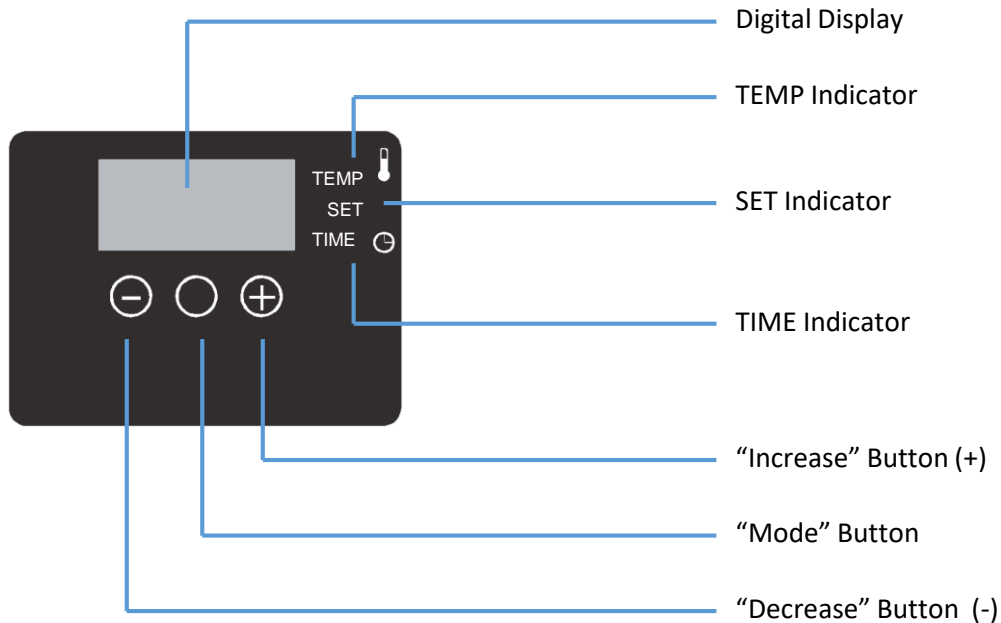
The temperature indicator will only display temperatures 96° C and up.



TIME

4. ADJUST THE TIME

Once you have completed adjusting the temperature press the Mode Select Button again. This will advance you to the Adjust Time Mode. The (SET) and (TIME) Lights will illuminate, indicating you are in the Adjust Time Mode. Adjust the time in the same manner that you adjusted temperature. The time can be set from 001 to 999 seconds. To exit the Adjust Temperature and Time Modes press the Mode Select Button a third time. All lights will be off and the press will return to the Print Mode.



IMPORTANT:

The press will not function when the (SET) Light is illuminated. This light indicates that you are in the Adjust Temperature or Time Mode not the Print Mode.

REMEMBER:

PRESS the MODE SELECT button ONCE to advance to the ADJUST TEMPERATURE MODE.
 PRESS the MODE SELECT button AGAIN (Second Time) to advance to the ADJUST TIME MODE.
 PRESS the DECREASE and INCREASE buttons to make the changes desired.

PRESSURE

5. ADJUST THE PRESSURE

The Pressure Adjustment Knob is located in the center of the heat platen.

Adjust the pressure by turning the knob clockwise to increase pressure and counter clockwise to decrease pressure.

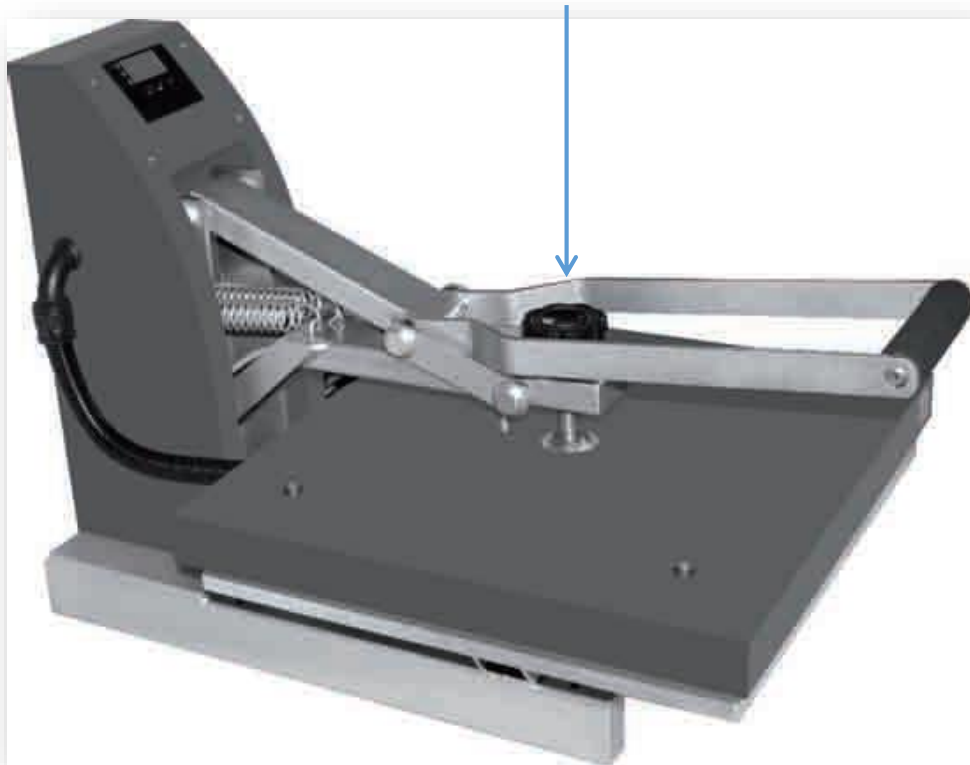
REMEMBER:

To allow for the thickness of your garment when adjusting the pressure.

WARNING:

Structural damage caused by excessive pressure is not covered under the limited warranty!

Pressure Adjustment Knob



Operating instructions

6. PRINT

- Once your equipment has reached the designated temperature, position the garment and application and proceed to press.
- Lower and lock the heat platen into the press position. This procedure will start the automatic timing process.
- The timer will automatically count down and audibly signal you to lift the heat platen into the “UP” position when the press cycle is complete.
- The time will automatically re-set and you are ready to continue with the next application.

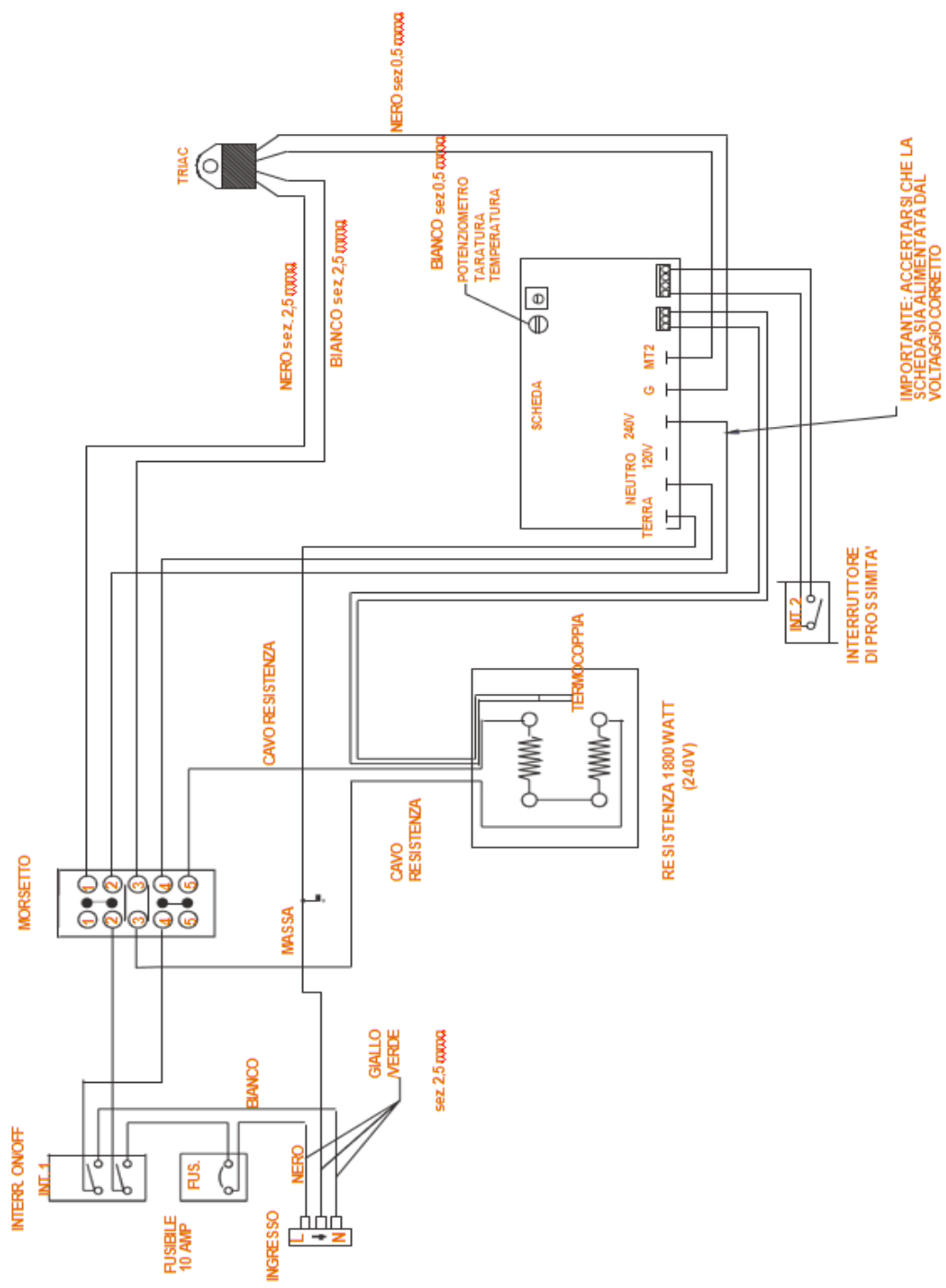


NOTE :

- 200 °F (93 °C) = The lowest temperature the unit will display
- 205 °F (96 °C) = The lowest set temperature possible
- 430 °F (221 °C) = The highest set temperature possible and the highest temperature the unit will display.



ELECTRICAL SCHEMATIC





TERMS OF GUARANTEE

WARRANTY POLICY

SISER S.r.l. guarantees its TS-ONE machine for a period of 12 months from the date of shipment. The warranty will be recognized only if the machine has been used correctly, according to the instructions provided in this manual, including the periodical maintenance foreseen.

Any defects or breakage of parts during the warranty period will be repaired or replaced free of charge by SISER S.r.l. on its premises in Vicenza. Any defective parts must be returned to SISER S.r.l. after replacement.

The cost of delivery or shipment of the replacement parts is for the account of the buyer

All consumable materials and materials used in normal maintenance are excluded from the warranty, as well as any parts damaged due to improper use of the machine.

Repairs and/or replacements made under the warranty do not extend it.

Recognition of the warranty does not include reimbursement of any damages for lost production.

LIABILITY

The guarantee of proper function and full compliance of the performance of the machine with the use foreseen depends strictly on correct application of all the instructions in the manual.

The only configurations and uses allowed by the manufacturer are those expressly described in the manual.

SISER S.r.l. has no liability in case of :

- failure to comply with the instruction relative to installation, use and maintenance of this manual;
- inadequacy of the plant and environmental conditions where the machine is required to work;
- unauthorized alterations to the machine;
- use by unqualified and untrained personnel.





CE- CERTIFICATION

REFERENCE STANDARDS

The TS Base machine, as it is equipped with electrical parts operating at a voltage between 50 V and 1000 V, is subject to the Low Voltage Directive 2006/95/CE (formerly 73/23/CEE) and the Electromagnetic Compatibility Directive 2004/108/CEE.

Since there are no motor-driven moving parts, as the movement of closure and opening of the plates is controlled by hand, the TS-BASE does not come within the field of application of the Machine Directive 2006/42/CE.

Nevertheless, the design and construction of the TS-BASE has been made in compliance with the essential safety requisites foreseen by Directive 2006/42/CE.

Users must remember that in addition to following the instructions in this manual, the legislation on the subject of safety in your country must also be applied.



Management
System
ISO 9001:2015

www.tuv.com
ID 9105027958



V.LE DELLA TECNICA n. 18 – 36100 VICENZA ITALY
TEL. +39 0444 287960 - FAX +39 0444 287959
E-mail: info@siser.it - www.siser.com
R.E.A. VI 171856 VI – Reg. Imp. VI n. 14971
Cap. Soc. € 103.300 i.v. – Partita IVA 01591490246
Società Unipersonale

